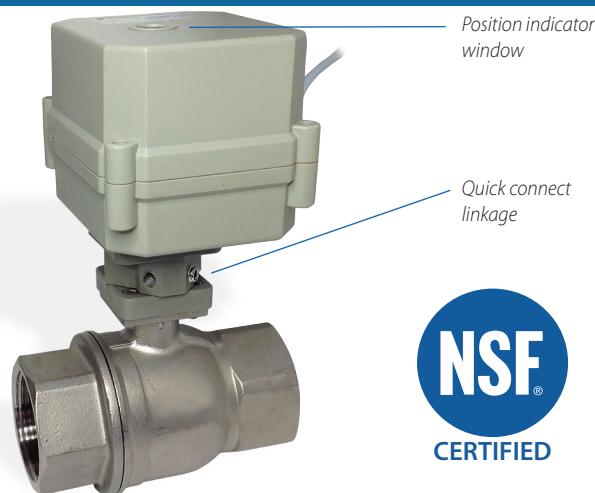


These unique SV series specialty valves are used for specific applications in air or geothermal heat pumps, drinking water systems, solar water heaters and other industrial equipment. These unique floating ball construction type ball valves require very low torque and can be controlled with a small compact actuator. They can be ordered for Normally Open or Normally Closed applications by using a designated 'O' or 'C' in the part number (see How to Order).

**NEMA 4
IP65
HOUSING**



TECHNICAL SPECIFICATIONS :

Valve Body:

Body Material: 304 Stainless Steel
 Valve Stem: Nickel Plated Brass
 Valve Ball: 304 Stainless Steel
 Valve Seat: PTFE disc with backup ring
 Valve Packing: Double O ring
 with PTFE friction ring base
 Close Off: 150psi and 100% tight shut off
 Working Pressure: 150 PSI (10 Bar)
 Media Temperature: 32°F to 200°F (0°C to 92°C)

Actuators:

FLP - Fail Last Position
 Capacitor Return Fail Safe - minimum 1A power for 60 secs to charge the capacitor
 Rated Voltage: 24V AC, 24V DC or 120V AC
 Power: Max 1000mA
 Output Torque: 88in/lb (10 NM)
 Housing Enclosure: NEMA 4 (IP 65)
 Connection: 12" (305mm) PVC Cable
 Ambient Temperature: 40°F to 120°F
 (5°C to 50°C)
 Travel Time: 6 Seconds
 Noise Level: 55 dB
 Standard Features: Position Indication
 Quick Clip Mounting

Agency Approvals:

Conforms to CE EN 60730
 ESC Certificate EN60534-2-3:1998
 Quality Assurance System 97/23/EC
 ISO9093-1-1997

Certified to NSF/ANSI Standard 61

One year warranty.

ACTUATORS

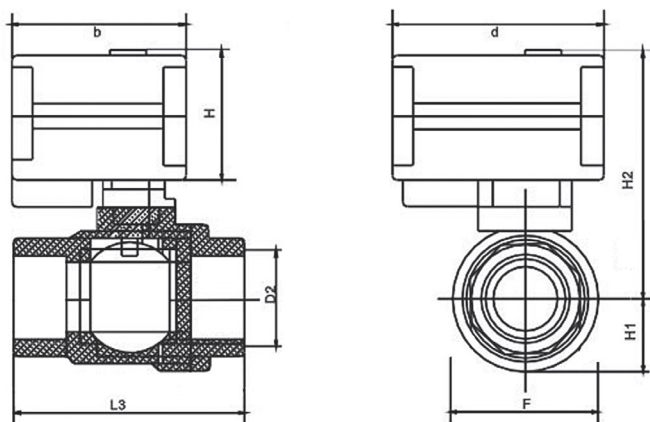
Part No:	24V DC	24V AC	120V AC	88 in/lb	Capacitor Return Fail Safe Circuit No D	FLP 2 Point Control Circuit No E	FLP 2 Point Control Circuit No F	Position Indicator	Aux. Switch
MS1320	X	X		X	X			X	
MS1320S	X	X		X	X			X	X
MS2340			X	X			X	X	
MS2320			X	X	X			X	
MS2320S			X	X	X			X	X
MS1330	X	X		X		X		X	
MS2330			X	X		X		X	

FULL BORE BALL VALVE BODIES

Connection	Part No	Size	CV	L3	F	H1	H2	b	d	Weight lbs
F x F North American NPT (National Pipe Thread)	SV202N-114	1 1/4"	CV103	4	1 7/8	1 1/4	5 1/16	2 13/16	3 13/32	3.45
	SV202N-115	1 1/2"	CV260	4 1/2	2	1 7/16	6 3/8	2 13/16	3 13/32	4.85
	SV202N-200	2"	CV480	5	2 5/8	1 3/4	6 11/16	2 13/16	3 13/32	4.90

All dimensions in inches

DIMENSIONS:



HOW TO ORDER

Use the code on the right to build your SV series ball valve and actuator to your exact specification, quickly and easily.

Note: The installation and service should be performed by trained personnel. To avoid electrical shock ensure electric source is switched off before disconnecting the wires.

VALVE BODY | **ACTUATOR**
SV 202 N-115 - MS 1 3 2 0

OPTIONS: 0=No Option, S=Auxiliary Switch
CONTROL: 2=circuit No D, 3=circuit No E, 4=circuit No F
TORQUE: 3=88in/lbs
 1=24VAC, 2=120VAC
 MS=Electric Rotary Motor
VALVE SIZE: 114=1 1/4", 115=1 1/2", 200=2"
PIPING CONNECTION: N=NPT Fx F, B=BSPT Fx F, BP=BSPP Fx F
VALVE BODY TYPE: 202=2 way Stainless Steel,
 SV=Ball Valve