

These unique SV series specialty valves are used for specific applications in air or geothermal heat pumps, drinking water systems, solar water heaters and other industrial equipment. These unique floating ball construction type ball valves require very low torque and can be controlled with a small compact actuator. The Quick Clip disconnect feature allows for easy actuator installation, or to change from Normally Open to Normally Closed applications by using a designated 'O' or 'C'.

TECHNICAL SPECIFICATIONS :

Valve Body:

Body Material:304 Stainless Steel
 Valve Stem:Nickel Plated Brass
 Valve Ball:304 Stainless Steel
 Valve Seat:.....PTFE disc with backup ring
 Valve Packing:..... Double O ring with PTFE friction ring base

Close Off: 150psi and 100% tight shut off
 Working Pressure:..... 150 PSI (10 Bar)
 Media Temperature:.....32°F to 200°F (0°C to 92°C)

Actuators:

FLP - Fail Last Position
Capacitor Return Fail Safe - minimum power on time required 15 secs for 24V & 30 secs for 120V
 Rated Voltage:..... 24VAC, or 120V ACor 9V to 24V DC
 Power:.....Max 5 watts
 Output Torque:..... 17in/lb (2 NM)
 Enclosure:..... NEMA 4 (IP 65)
 Connection:..... 12" (305mm) PVC Cable
 Ambient Temperature:.....40°F to 120°F (5°C to 50°C)
 Travel Time:.....6 Seconds
 Noise Level:..... 55 dB
 Approvals:..... CSA Certified 1735440
 Standard Features:Position IndicationQuick Clip Mounting

Agency Approvals:

Conforms to CE..... EN 60730
 ESC Certificate EN60534-2-3:1998
 Quality Assurance System.....97/23/EC
Certified to NSF/ANSI Standard 61

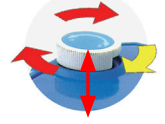
One year warranty.

Position indicator window

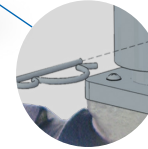


In case of an electrical supply failure it is possible to operate the actuator manually.

1. Power must be in off position when manual override is used.
2. Gently pull up the knob about 1/8", then turn the knob left or right to open or close the valve, as per the position indicator.
3. To finish using manual override, press down the knob to resume normal electric operation.



Actuator with "Quick Connect" feature for easy installation in difficult situations.



ACTUATORS

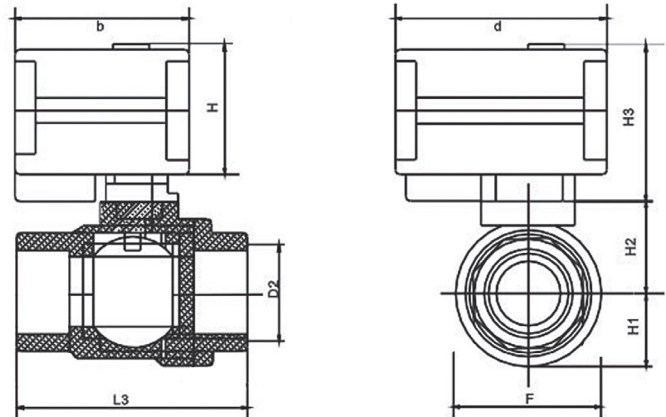
Part No:	24V AC	120V AC	9-24V DC	17 in/lb	Capacitor Return Fail Safe Circuit No A	FLP 3 Point Control 3 wire Circuit No B	FLP 2 Point Control 3 wire]Circuit No C	Pos. Ind. & Manual Override
MS3142	X		X	X		X		X
MS1132	X			X			X	X
MS1122	X		X	X	X			X
MS2132		X		X			X	X
MS2122		X		X	X			X

VALVE BODIES

Connection	Part No	Size	CV	L3	F	H1	H2	H3	b	d	Weight lbs
F x F North American NPT	SV202N-12	1/2"	CV 12	2 3/32	1 1/16	3/8	1 1/2	2 1/2	2	2 7/16	0.75
	SV202N-34	3/4"	CV 12	2 3/8	1 1/16	7/8	1 3/4	2 1/2	2	2 7/16	0.98
	SV202N-10	1"	CV 24	2 7/8	1 11/16	1	1 7/8	2 1/2	2	2 7/16	1.38

All dimensions in inches

DIMENSIONS:



HOW TO ORDER

Use the code on the right to build your SV series ball valve and actuator to your exact specification, quickly and easily.

VALVE BODY				ACTUATOR							
SV	202	N	-12	-	MS	1	1	2	2	-	0

LINKAGE POSITION:
 L=Last Position, O=Fail Open, C=Fail Closed

OPTIONS: 2=manual override

CONTROL: 2=circuit No A, 4=circuit No B, 3=circuit No C

TORQUE: 1=17in/lbs

1=9-24VAC/DC, 2=120VAC, 3= 9-24VAC/DC

MS= Electric Rotary Motor

VALVE SIZE: 12=1/2", 34=3/4", 10=1"

PIPING CONNECTION: N=NPT Fx F, B=BSPT Fx F, BP=BSPP Fx F

VALVE BODY TYPE: 202= 2 way Stainless Steel

SV=Ball Valve