

**NEW**  
added  
features

## TEI 10 On / Off LCD Electronic Thermostat 24Vac

### Description

Two position On/Off electronic room thermostat with digital display and digital key set point. Suitable for controlling heating or cooling valves, fans or other two position devices to maintain an accurate room temperature. Selectable Celsius or Fahrenheit scale by jumper J1. External heating/cooling changeover thermostat or wire jumper can be connected to terminals 4 and 5 to select heating or cooling mode. Economy mode can be implemented by grounding terminal 6 or connecting a contact across terminal 6 and 7. The hand icon will be displayed. Pressing the hand button for 3 seconds will override to a regular mode for a 2 hour period. Optional external 10K NTC type 3 temperature sensor can be connected to terminal 8 and 9 and selected by jumper J2. Full or limited set point adjustment can be set with jumper J3. If using the thermostats for DX cooling an extended delay can be selected with jumper J4.

### Specifications

**Operating voltage:** 24Vac, 50/60Hz, +/- 20%  
**Power consumption:** Maximum 3Va  
**Control output:** 24Vac, 5Amp  
**Switching:** 1 °F (0.5 °C)  
**Sensing Element:** NTC Thermistor  
**Connection terminals:** Use solid wire 22 AWG to 14 AWG  
**Digital Display:** Temperature in °C or °F, set point, heating or cooling output  
**Set point range:** 50-90°F in 1°F resolution  
 10-32°C in 0.5°C resolution  
**Operating temperature:** 32-122 °F or 0-50 °C, < 95% RH  
**Housing cover/base color:** Cover white, base grey  
**Wall mounting plate:** Color white, mounting holes for European and North American standards, fits 2 x 4 electric box  
**Optional:** External 10K NTC type 3 thermistor  
**Shipping weight:** 0.5Lbs (0.225 Kg)  
**Agency approval:** Conforms to CE/ROHS requirements Class 2 as per UL/CSA

*Quality, affordable electronic room thermostat with digital display from Spartan*

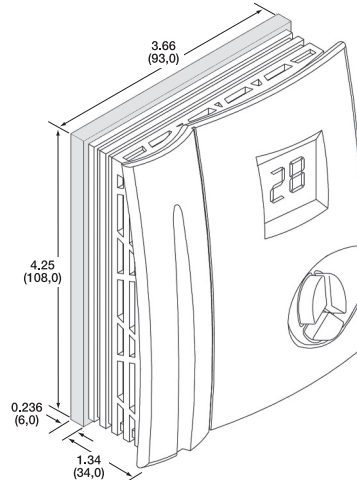
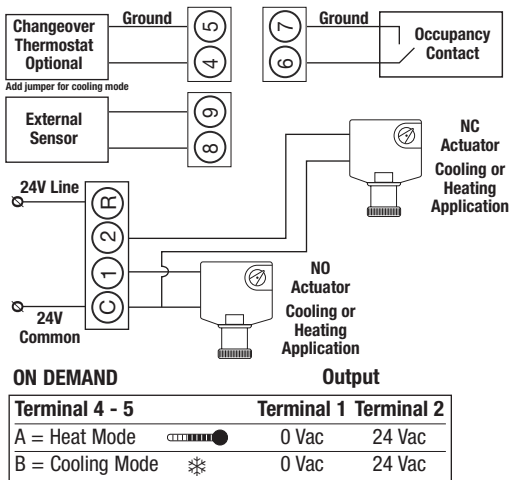


### Jumper selections

Pole	ON	OFF
1	°F Scale	°C Scale
2	External sensor	Internal sensor
3	Normal temperature range	Limited temperature range
4	Long delay - 4 minutes	No delay

**IMPORTANT:** After a setting change, the thermostat must be powered off for the changes to take effect.

### Wiring Diagram



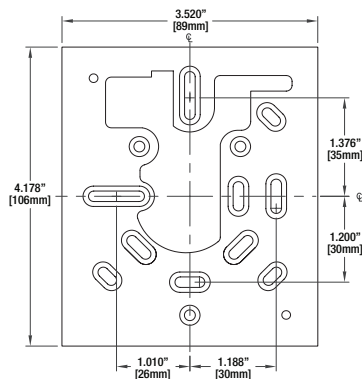
### Changing the Set Point

To change set point use the increase or decrease keys. LCD display will illuminate after pressing hand key.  
 ● When the thermostat is in heating mode a thermometer will appear in the display. It will flash when there is a demand for heat.  
 ❄️ When the thermostat is in cooling mode a snow flake will appear in the display. It will flash when there is a demand for cooling.

### On Power Failure

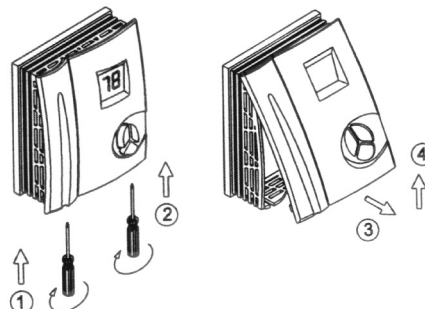
The set-point will remain in the memory.

### Mounting Dimensions



### TEI 10 Cover Removal

To remove the cover simply remove the screws at the bottom of the unit with a screwdriver (1 and 2). The cover then is removed by pulling it out and then up (3 and 4).



### Disclaimer:

The installation and service should be performed by trained personnel. To avoid electric shock ensure the electrical source is switched off.

### Installation:

Thermostats can be installed on a standard 20-20 2X4 electric box, or directly on the flat wall surface, and away from the heat source.

**Do not expose to water.**